

PIPES AND FITTINGS



Soffieria Sestese S.r.l.

www.soffieriasestese.it

Pipes and Fittings

The pipes and fittings made of borosilicate glass 3.3 are mainly used in chemical, pharmaceutical and food industries. The implementation of this type of material to be part of these industries is significant to understand the importance of the properties of borosilicate glass 3.3.

Soffieria Sestese Flat Connection pipeline uses a modular construction system for the diameter range 15 mm to 600 mm and includes a wide range of fittings, for example:

- pipe lengths up to 3000 mm;
- fittings such as ties, bends, reducers;
- glandless valves from 15 mm to 80 mm in the material combination borosilicate glass 3.3/PTFE.

The dimensions of all components of the modular construction system are based on a single unit of measurement.

This metric grid system (with reference to UNI EN 12585:1999) ensures problem-free construction using standard components. The basic dimensions in the grid system is 25 mm and all components dimensions are divisible by this number.



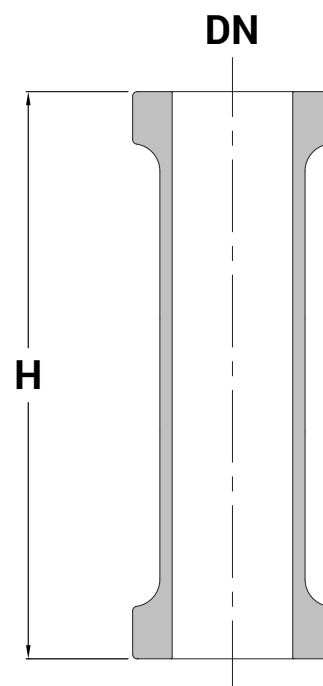
Soffieria Sestese may alter detail specifications at its discretion and without notice, in line with its policy of continuous development.

Pipes section

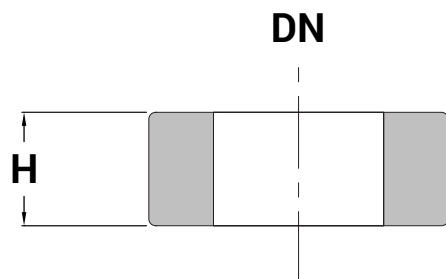
H	CODE	CODE	CODE	CODE
	DN15	DN25	DN40	DN50
75	SRO015/0075/33	SRO025/0075/33	-	-
100	SRO015/0100/33	SRO025/0100/33	SRO040/0100/33	SRO050/0100/33
125	SRO015/0125/33	SRO025/0125/33	SRO040/0125/33	SRO050/0125/33
150	SRO015/0150/33	SRO025/0150/33	SRO040/0150/33	SRO050/0150/33
175	SRO015/0175/33	SRO025/0175/33	SRO040/0175/33	SRO050/0175/33
200	SRO015/0200/33	SRO025/0200/33	SRO040/0200/33	SRO050/0200/33
300	SRO015/0300/33	SRO025/0300/33	SRO040/0300/33	SRO050/0300/33
400	SRO015/0400/33	SRO025/0400/33	SRO040/0400/33	SRO050/0400/33
500	SRO015/0500/33	SRO025/0500/33	SRO040/0500/33	SRO050/0500/33
700	SRO015/0700/33	SRO025/0700/33	SRO040/0700/33	SRO050/0700/33
1000	SRO015/1000/33	SRO025/1000/33	SRO040/1000/33	SRO050/1000/33
1500	SRO015/1500/33	SRO025/1500/33	SRO040/1500/33	SRO050/1500/33
2000	SRO015/2000/33	SRO025/2000/33	SRO040/2000/33	SRO050/2000/33
3000	-	SRO025/3000/33	SRO040/3000/33	SRO050/3000/33

H	CODE	CODE	CODE	CODE
	DN80	DN100	DN150	DN200
125	SRO080/0125/33	-	-	-
150	SRO080/0150/33	SRO100/0150/33	SRO150/0150/33	SRO200/0150/33
175	SRO080/0175/33	SRO100/0175/33	SRO150/0175/33	SRO200/0175/33
200	SRO080/0200/33	SRO100/0200/33	SRO150/0200/33	SRO200/0200/33
300	SRO080/0300/33	SRO100/0300/33	SRO150/0300/33	SRO200/0300/33
400	SRO080/0400/33	SRO100/0400/33	SRO150/0400/33	SRO200/0400/33
500	SRO080/0500/33	SRO100/0500/33	SRO150/0500/33	SRO200/0500/33
700	SRO080/0700/33	SRO100/0700/33	SRO150/0700/33	SRO200/0700/33
1000	SRO080/1000/33	SRO100/1000/33	SRO150/1000/33	SRO200/1000/33
1500	SRO080/1500/33	SRO100/1500/33	SRO150/1500/33	SRO200/1500/33
2000	SRO080/2000/33	SRO100/2000/33	SRO150/2000/33	SRO200/2000/33
3000	SRO080/3000/33	SRO100/3000/33	SRO150/3000/33	-

H	CODE	CODE	CODE	CODE
	DN300	DN400	DN450	DN600
200	SRO300/0200/33	-	-	-
300	SRO300/0300/33	-	-	-
400	SRO300/0400/33	-	-	-
500	SRO300/0500/33	SRO400/0500/33	SRO450/0500/33	SRO600/0500/33
700	SRO300/0700/33	-	-	-
1000	SRO300/1000/33	SRO400/1000/33	SRO450/1000/33	SRO600/1000/33
1500	SRO300/1500/33	SRO400/1500/33	SRO450/1500/33	SRO600/1500/33
2000	SRO300/2000/33	-	-	-



Spacers



Borosilicate Glass 3.3 Spacers

H	CODE DN15	CODE DN25	CODE DN40	CODE DN50
10	SR0015/0010/33	SR0025/0010/33	SR0040/0010/33	SR0050/0010/33
15	SR0015/0015/33	SR0025/0015/33	SR0040/0015/33	SR0050/0015/33
20	SR0015/0020/33	SR0025/0020/33	SR0040/0020/33	SR0050/0020/33
25	SR0015/0025/33	SR0025/0025/33	SR0040/0025/33	SR0050/0025/33
50	SR0015/0050/33	SR0025/0050/33	SR0040/0050/33	SR0050/0050/33

H	CODE DN80	CODE DN100	CODE DN150	CODE DN200
10	SR0080/0010/33	SR0100/0010/33	SR0150/0010/33	-
15	SR0080/0015/33	SR0100/0015/33	SR0150/0015/33	-
20	SR0080/0020/33	SR0100/0020/33	SR0150/0020/33	-
25	SR0080/0025/33	SR0100/0025/33	SR0150/0025/33	-
50	SR0080/0050/33	SR0100/0050/33	SR0150/0050/33	SR0200/0050/33
75	SR0080/0075/33	SR0100/0075/33	SR0150/0075/33	-
100	SR0080/0100/33	SR0100/0100/33	SR0150/0100/33	-
125	-	SR0100/0125/33	SR0150/0125/33	-

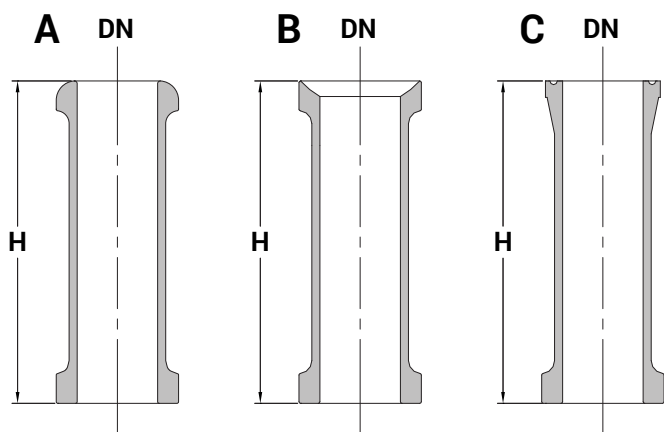
PTFE Spacers

H	CODE DN15	CODE DN25	CODE DN40	CODE DN50
25	SR0015/0025/U	SR0025/0025/U	SR0040/0025/U	SR0050/0025/U
50	SR0015/0050/U	SR0025/0050/U	SR0040/0050/U	SR0050/0050/U

H	CODE DN80	CODE DN100	CODE DN150
25			
50	SR0080/0050/U	SR0100/0050/U	SR0150/0050/U



Flat connections with others most standard glass flanges

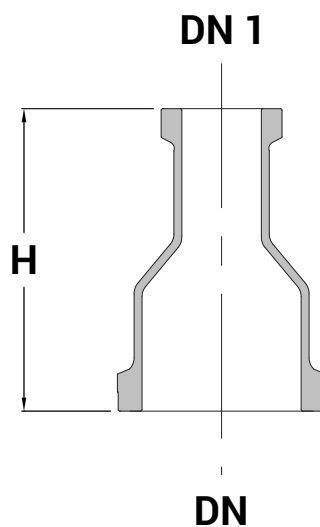


DN	H	CODE	CODE	CODE
		Tipo A	Tipo B	Tipo C
15	75	SAMS015/3/1	SAMS015/3/2	SAMS015/3/Q
25	75	SAMS025/3/1	SAMS025/3/2	SAMS025/3/Q
40	10	SAMS040/3/1	SAMS040/3/2	SAMS040/3/Q
50	100	SAMS050/3/1	SAMS050/3/2	SAMS050/3/Q
80	125	SAMS080/3/1	SAMS080/3/2	SAMS080/3/Q
100	150	SAMS100/3/1	SAMS100/3/2	SAMS100/3/Q
150	150	SAMS150/3/1	SAMS150/3/2	SAMS150/3/Q
200	150	SAMS200/3/1	SAMS200/3/2	SAMS200/3/Q
300	200	SAMS300/3/1	SAMS300/3/2	SAMS300/3/Q

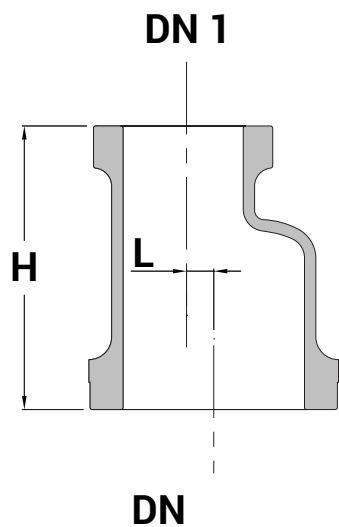


Glass reducers

DN	DN1	H	CODE
25	15	100	SRS025/015/33
40	15	100	SRS040/015/33
40	25	100	SRS040/025/33
50	15	100	SRS050/015/33
50	25	100	SRS050/025/33
50	40	100	SRS050/040/33
80	25	125	SRS080/025/33
80	40	125	SRS080/040/33
80	50	125	SRS080/050/33
100	25	150	SRS100/025/33
100	40	150	SRS100/040/33
100	50	150	SRS100/050/33
100	80	150	SRS100/080/33
150	25	200	SRS150/025/33
150	40	200	SRS150/040/33
150	50	200	SRS150/050/33
150	80	200	SRS150/080/33
150	100	200	SRS150/100/33
200	25	175	SRS200/025/33
200	40	175	SRS200/040/33
200	50	200	SRS200/050/33
200	80	200	SRS200/080/33
200	100	200	SRS200/100/33
200	150	200	SRS200/150/33
300	25	225	SRS300/025/33
300	40	225	SRS300/040/33
300	50	225	SRS300/050/33
300	80	250	SRS300/080/33
300	100	250	SRS300/100/33
300	150	250	SRS300/150/33
300	200	250	SRS300/200/33
400	50	300	SRS400/050/33
400	80	300	SRS400/080/33
400	100	300	SRS400/100/33
400	150	300	SRS400/150/33
400	200	300	SRS400/200/33
400	300	300	SRS400/300/33
450	50	325	SRS450/050/33
450	80	325	SRS450/080/33
450	100	325	SRS450/100/33
450	150	325	SRS450/150/33
450	200	325	SRS450/200/33
450	300	325	SRS450/300/33
600	50	375	SRS600/050/33
600	80	375	SRS600/080/33
600	100	375	SRS600/100/33
600	150	400	SRS600/150/33
600	200	400	SRS600/200/33
600	300	400	SRS600/300/33



Eccentric reducers

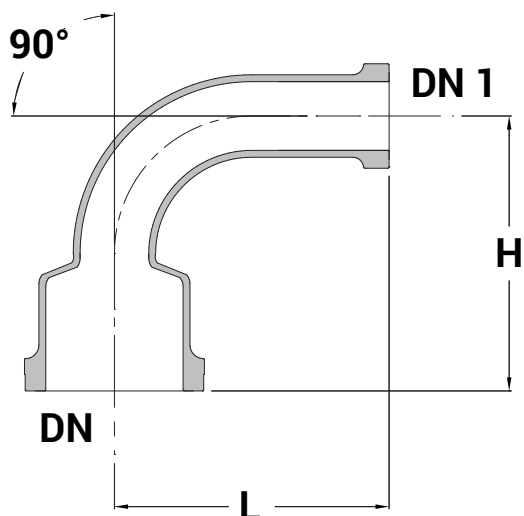


DN	DN1	H	L	CODE
25	15	100	5	SRU025/015/33
40	25	100	6	SRU040/025/33
50	25	100	12	SRU050/025/33
50	40	100	6	SRU050/040/33
80	25	125	24	SRU080/025/33
80	40	125	18	SRU080/040/33
80	50	125	12	SRU050/050/33
100	25	150	39	SRU100/025/33
100	40	150	33	SRU100/040/33
100	50	150	27	SRU100/050/33
100	80	150	15	SRU100/080/33
150	50	200	52	SRU150/050/33
150	80	200	40	SRU150/080/33
150	100	200	25	SRU150/100/33



90° Bend reducers

DN	DN1	L	H	CODE
25	15	50	75	SPBR025/015/33
40	25	100	125	SPBR040/025/33
50	40	150	150	SPBR050/040/33
80	50	150	150	SPBR080/050/33
100	50	150	200	SPBR100/050/33
100	80	175	200	SPBR100/080/33
150	50	150	200	SPBR150/050/33
150	80	175	250	SPBR150/080/33
150	100	250	250	SPBR150/100/33
200	80	175	250	SPBR200/080/33
300	80	175	300	SPBR300/080/33
300	100	175	300	SPBR300/100/33
300	150	200	350	SPBR300/150/33



90° Bends

DN	L	H	CODE
15	50	50	SBO015/90°/33
25	100	100	SBO025/90°/33
40	150	150	SBO040/90°/33
50	150	150	SBO050/90°/33
80	200	200	SBO080/90°/33
100	250	250	SBO100/90°/33
150	250	250	SBO150/90°/33
200	300	300	SBO200/90°/33
300	400	400	SBO300/90°/33

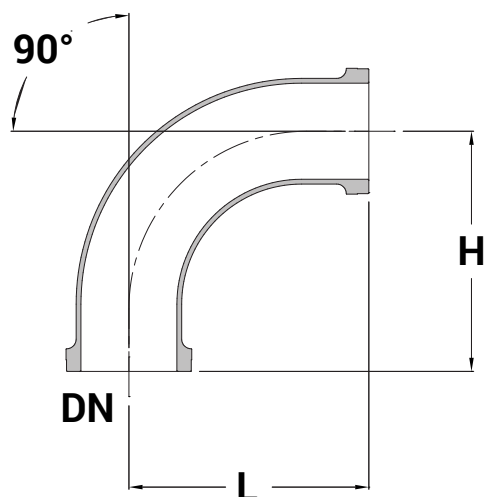
90° Bends with reduced length

DN	L	H	CODE
25	75	75	SBOR025/90°/33
40	100	100	SBOR040/90°/33
50	100	100	SBOR050/90°/33
80	150	150	SBOR080/90°/33

90° Bends with coulisse connection

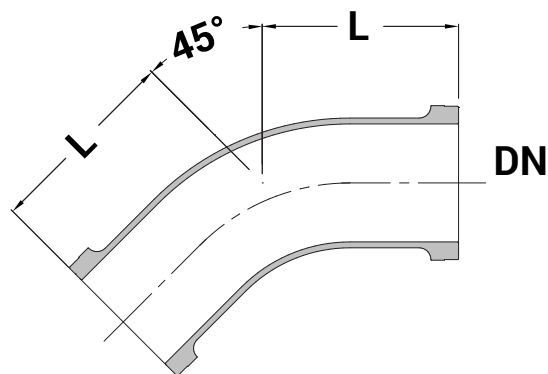
DN	L	H	CODE
15	50	...	SBO015/90°/33/...
25	100	...	SBO025/90°/33/...

Dimensions required later



45° Bends

DN	L	CODE
15	50	SBO015/45°/33
25	75	SBO025/45°/33
40	100	SBO040/45°/33
50	100	SBO050/45°/33
80	125	SBO080/45°/33
100	175	SBO100/45°/33
150	200	SBO150/45°/33
200	200	SBO200/45°/33
300	200	SBO300/45°/33

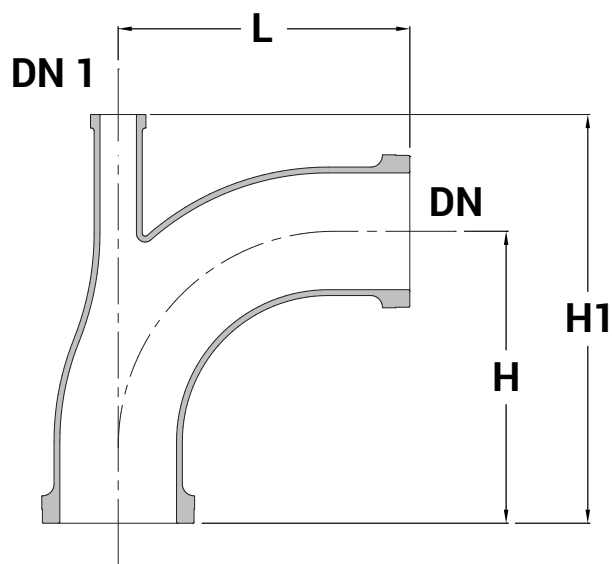


90° Bends with thermometric connection

DN	DN1	L	H	H1	CODE
40	25	150	150	225	SAPK040/90°/33
50	25	150	150	250	SAPK050/90°/33
80	25	200	200	300	SAPK080/90°/33
100	25	250	250	375	SAPK100/90°/33
150	25	250	250	400	SAPK150/90°/33
200	25	300	300	475	SAPK200/90°/33
300	25	400	400	625	SAPK300/90°/33

90° Bends with thermometric connection and reduced length

DN	DN1	L	H	H1	CODE
40	25	100	100	175	SAPKR040/90°/33
50	25	100	100	175	SAPKR050/90°/33
80	25	150	150	250	SAPKR080/90°/33



“U” Bends

DN	L	H	CODE
15	100	100	SUB015/33
25	150	150	SUB025/33
40	140	150	SUB040/33
50	150	150	SUB050/33
80	210	200	SUB080/33
100	230	200	SUB100/33

“U” Bends with bottom outlet

“U” Bends with reduced drain

DN	DN1	L	H	H1	CODE
15	15	100	200	100	SH0015/015/333
25	25	150	250	150	SH0025/025/333
40	25	140	250	150	SH0040/025/333
50	25	150	250	150	SH0050/025/333
80	25	210	300	200	SH0080/025/333
100	50	230	350	200	SH0100/050/333

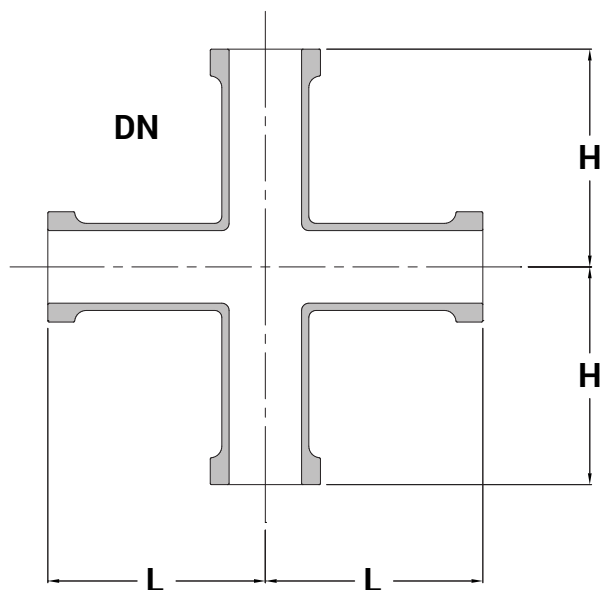


Crosspieces

DN	L	H	CODE
15	50	50	SKR015/3333
25	100	100	SKR025/3333
40	150	150	SKR040/3333
50	150	150	SKR050/3333
80	200	200	SKR080/3333
100	250	250	SKR100/3333
150	250	250	SKR150/3333

Crosspieces with reduced length

DN	L	H	CODE
25	75	75	SKRR025/3333
40	100	100	SKRR040/3333
50	100	100	SKRR050/3333
80	150	150	SKRR080/3333

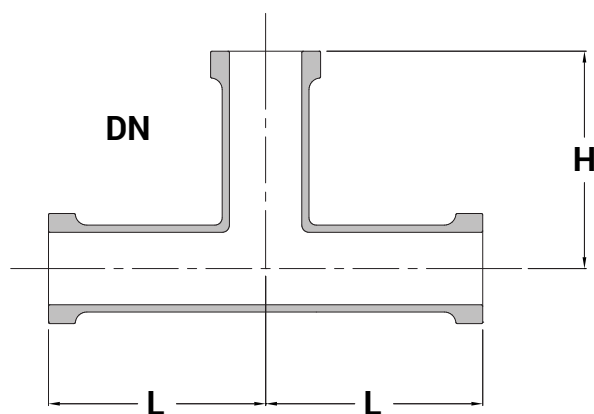


Equal "T"-pieces

DN	L	H	CODE
15	50	50	STS015/333
25	100	100	STS025/333
40	150	150	STS040/333
50	150	150	STS050/333
80	200	200	STS080/333
100	250	250	STS100/333
150	250	250	STS150/333
200	300	300	STS200/333
300	400	400	STS300/333

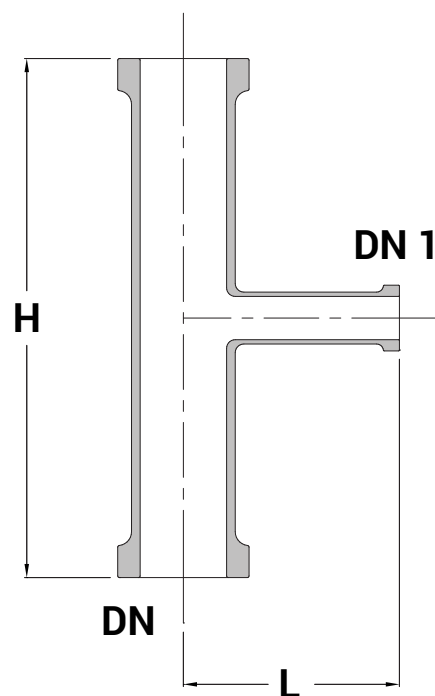
Equal "T" pieces with reduced length

DN	L	H	CODE
25	75	75	STSR025/333
40	100	100	STSR040/333
50	100	100	STSR050/333
80	150	150	STSR080/333



Unequal "T"-pieces

DN	DN1	H	L	CODE
25	15	150	75	STS025/015/333
40	25	200	100	STS040/025/333
50	25	200	100	STS050/025/333
50	40	200	100	STS050/040/333
80	25	200	100	STS080/025/333
80	40	250	100	STS080/040/333
80	50	250	100	STS080/050/333
100	25	200	125	STS100/025/333
100	40	250	125	STS100/040/333
100	50	250	125	STS100/050/333
100	80	300	125	STS100/080/333
150	25	200	150	STS150/025/333
150	40	250	150	STS150/040/333
150	50	250	150	STS150/050/333
150	80	300	150	STS150/080/333
150	100	300	150	STS150/100/333
200	25	200	175	STS200/025/333
200	40	200	175	STS200/040/333
200	50	250	175	STS200/050/333
200	80	300	175	STS200/080/333
200	100	300	200	STS200/100/333
200	150	400	225	STS200/150/333
300	25	400	225	STS300/025/333
300	40	400	225	STS300/040/333
300	50	400	225	STS300/050/333
300	80	400	225	STS300/080/333
300	100	400	225	STS300/100/333
300	150	500	275	STS300/150/333
300	200	600	275	STS300/200/333
400	80	400	300	STS400/080/333
400	150	500	325	STS400/150/333
450	80	400	325	STS450/080/400
450	150	600	350	STS450/150/333
600	80	600	400	STS600/080/333
600	150	600	425	STS600/150/333
600	300	800	500	STS600/300/333

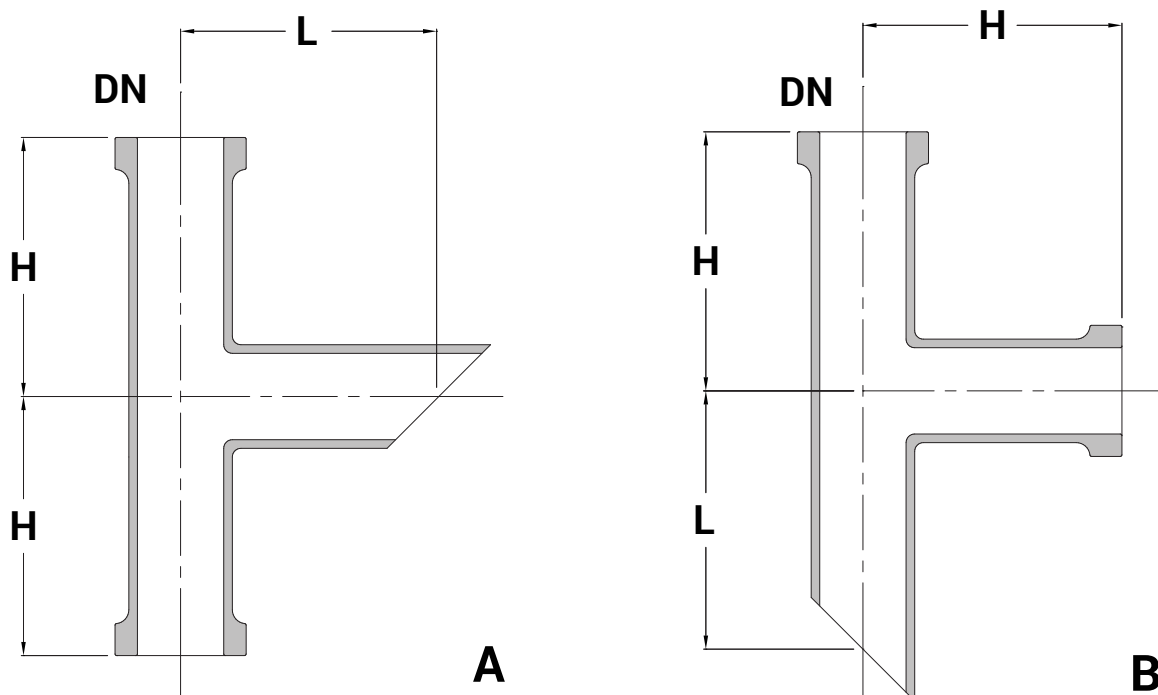


Unequal "T"- pieces with reduced length

DN	DN1	H	L	CODE
25	15	100	75	STSR025/015/333
40	25	150	75	STSR040/025/333
50	25	150	100	STSR050/025/333
50	40	150	100	STSR050/040/333
80	25	200	100	STSR080/025/333
80	40	200	100	STSR080/040/333
80	50	200	125	STSR080/050/333



Equal "T"-pieces with coulisse connection



DN	H	TIPO	CODE
15	50	A	STSC015/A/33/...
15	50	B	STSC015/B/33/...
25	100	A	STSC025/A/33/...
25	100	B	STSC025/B/33/...

Dimension "L" required later

Equal "T"- pieces with reduced length

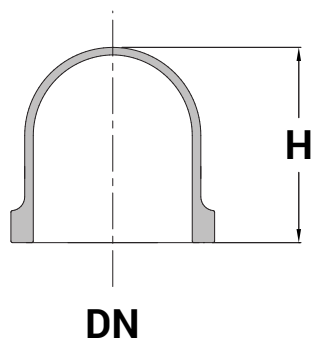
DN	H	TIPO	CODE
25	75	A	STSCR025/A/33/...
25	75	B	STSCR025/B/33/...

Dimension "L" required later



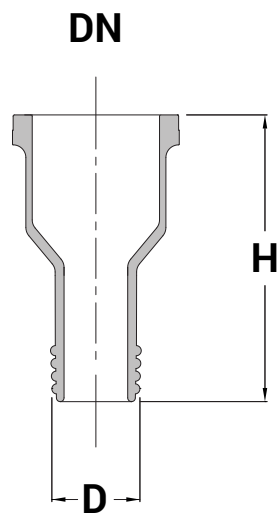
Closures

DN	H	CODE
15	50	SBL015/33
25	75	SBL025/33
40	75	SBL040/33
50	75	SBL050/33
80	110	SBL080/33
100	110	SBL100/33
150	125	SBL150/33
200	125	SBL200/33
300	170	SBL300/33
400	190	SBL400/33
450	250	SBL450/33
600	250	SBL600/33



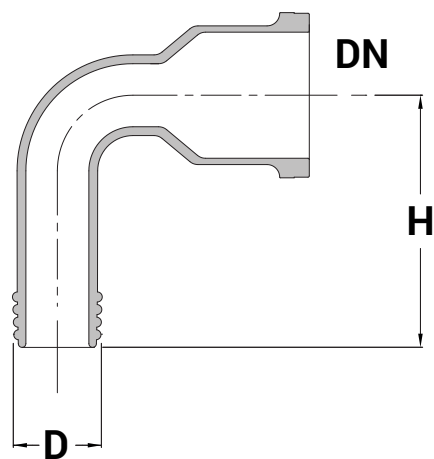
Straight hose connectors

DN	D	H	CODE
15	8	70	SOL015/08/3
15	10	70	SOL015/10/3
15	13	70	SOL015/13/3
15	16	70	SOL015/16/3
15	18	70	SOL015/18/3
15	20	70	SOL015/20/3
25	8	90	SOL025/08/3
25	16	90	SOL025/16/3
25	20	90	SOL025/20/3
25	26	90	SOL025/26/3
25	30	90	SOL025/30/3
40	26	100	SOL040/26/3
40	32	100	SOL040/32/3
50	32	100	SOL050/60/3



90° Hose connectors

DN	D	H	CODE
15	16	60	SOL90/015/16/W/3
15	18	60	SOL90/015/18/W/3
15	20	60	SOL90/015/20/W/3
25	20	60	SOL90/025/20/W/3
25	26	70	SOL90/025/26/W/3
25	30	70	SOL90/025/30/W/3

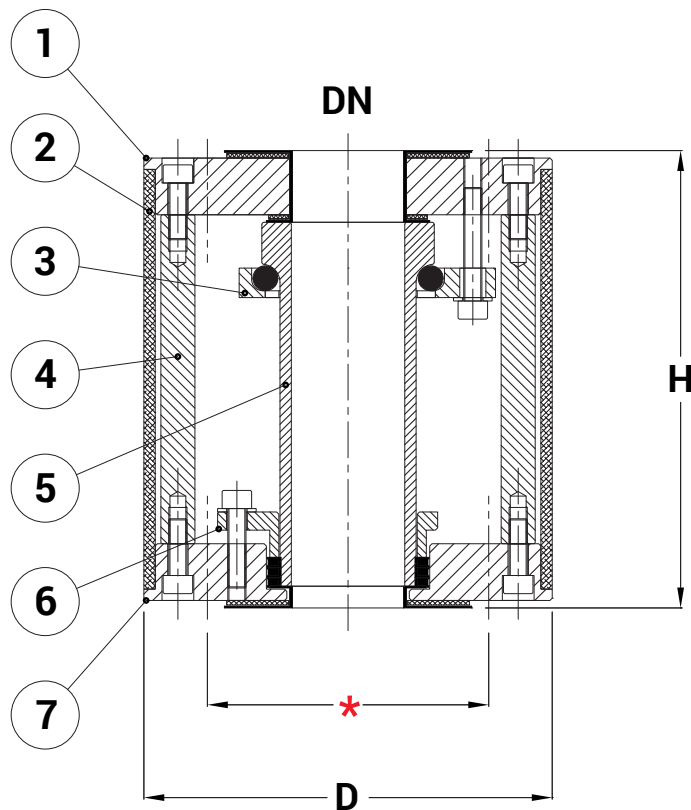


Sight glasses

The sight glasses proposed by Soffieria Sestese are characterized by their strong resistance to corrosion. For practical purposes, the liquids are in contact only with borosilicate glass 3.3 and special PTFE gaskets.

The greater advantage in using these sight glasses is to visualize the fluid through the pipe surface to a minimum of 100 mm length.

An external Lexan tube, protects the sight glass against eventual breakage.



Legend

SN	Q.TY	DESCRIPTION
1	1	Top flange with gasket
2	1	Protection tube
3	1	Flange with gasket
4	4	Spacing bar
5	1	Tube
6	1	Stuffing flange with gasket
7	1	Bottom flange with gasket

DN	D	H	CARBON STEEL CODE	STAINLESS STEEL CODE
25	122	150	SRSG025	SRSG025AI
40	145	200	SRSG040	SRSG040AI
50	177	200	SRSG050	SRSG050AI
80	200	200	SRSG080	SRSG080AI
100	220	200	SRSG100	SRSG100AI

Max pressure DN25, DN40, DN50, DN80: 6 bar

Max pressure DN100: 3 bar

* Connection flange UNI EN 1092-1 PN10Coil heat exchangers

