

VALVES



SAFETY VALVE	
CE	STD REF: 2004/109/CE
Dim:	S.N. 2012
DNout:	SET P. 0,2 bar
T max:	CHERY 100°C
ST:	YEAR 2012
DISCH. CODE:	E-0304



Valves

A wide range of valves with manual or automatic control is available for a variety of applications. The bodies are made of borosilicate glass 3.3 which allows to visually check the operation. In all cases, the glass is associated with PTFE to confer at the valve an optimum resistance to corrosion.

A special advantages for this type of valves is the absence of stuffing box. The seal is provided directly by the plug-PTFE bellows. They meet the specification of ISO 3587, where this standard applies.

Maximum interchangeability of compatible components is ensured, therefore the valves can be interchanged with bends, tee pieces etc.

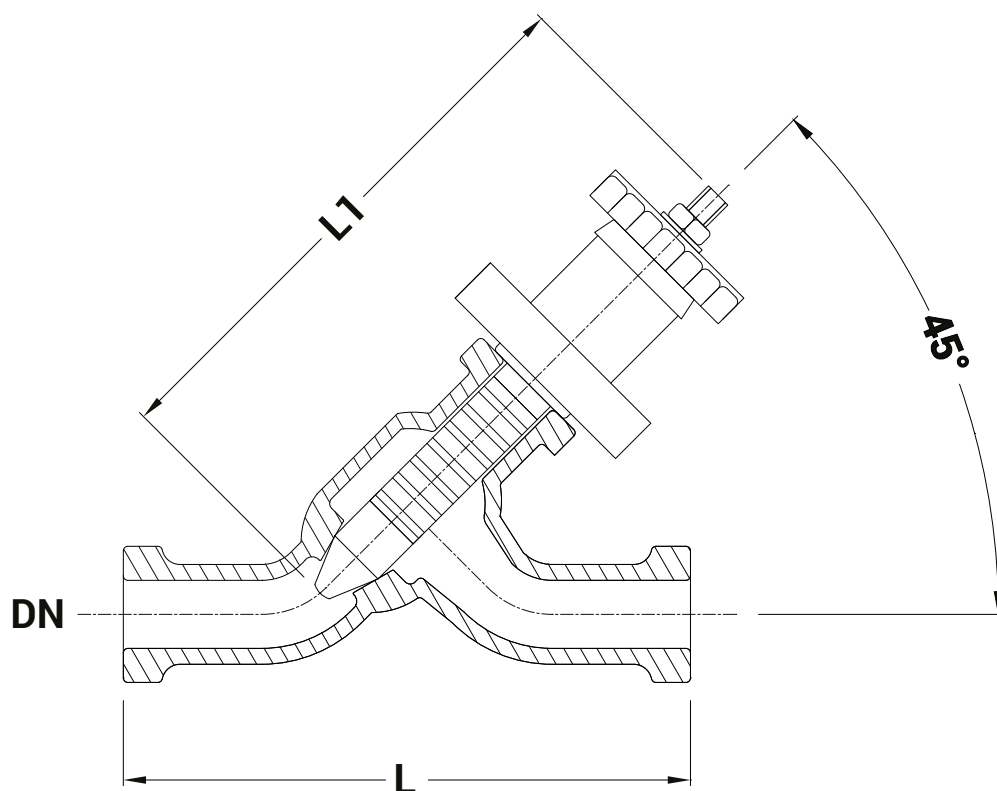
For conditions use of valves, and in the absence of specifications in this chapter, refer to the technical information (chapter 1).

Generally, the maximum operating temperatures is 180 °C, anyway over 120 °C should gradually reduce the pressure. If in doubt, consult our technical department for advice. All the valves showed in this catalog, can be provided on request with a special coating described in chapter 1 (Technical Information).



Soffieria Sestese may alter detail specifications at its discretion and without notice, in line with its policy of continuous development.

Straight-through valves



Plastic material device

DN	L	L1	CODE
15	125	120	SVL015PL
25	200	175	SVL025PL
40	225	215	SVL040PL
50	300	330	SVL050PL
80	375	390	SVL080PL

Pneumatic actuator version

DN	L	L1	CODE
15	125	120	SVL015/P/...
25	200	175	SVL025/P/...
40	225	215	SVL040/P/...
50	300	330	SVL050/P/...
80	375	390	SVL080/P/...

N.O. = Normally open – N.C. = Normally closed – D.E. = Double acting

Stainless steel device

DN	L	L1	CODE
15	125	120	SVL015AI
25	200	175	SVL025AI
40	225	215	SVL040AI
50	300	330	SVL050AI
80	375	390	SVL080AI



Angle valves

Plastic material device

DN	L	H	H1	CODE
15	50	50	150	SVS015PL
25	100	100	240	SVS025PL
40	150	150	360	SVS040PL
50	150	150	360	SVS050PL
80	200	200	450	SVS080PL

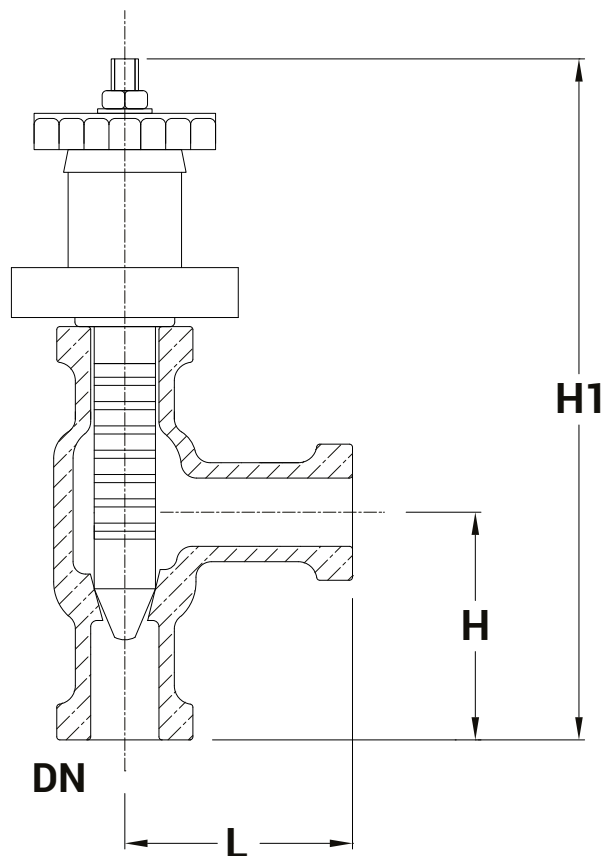
Pneumatic actuator version

DN	L	H	H1	CODE
15	50	50	150	SVS015/P/...
25	100	100	240	SVS025/P/...
40	150	150	360	SVS040/P/...
50	150	150	360	SVS050/P/...
80	200	200	450	SVS080/P/...

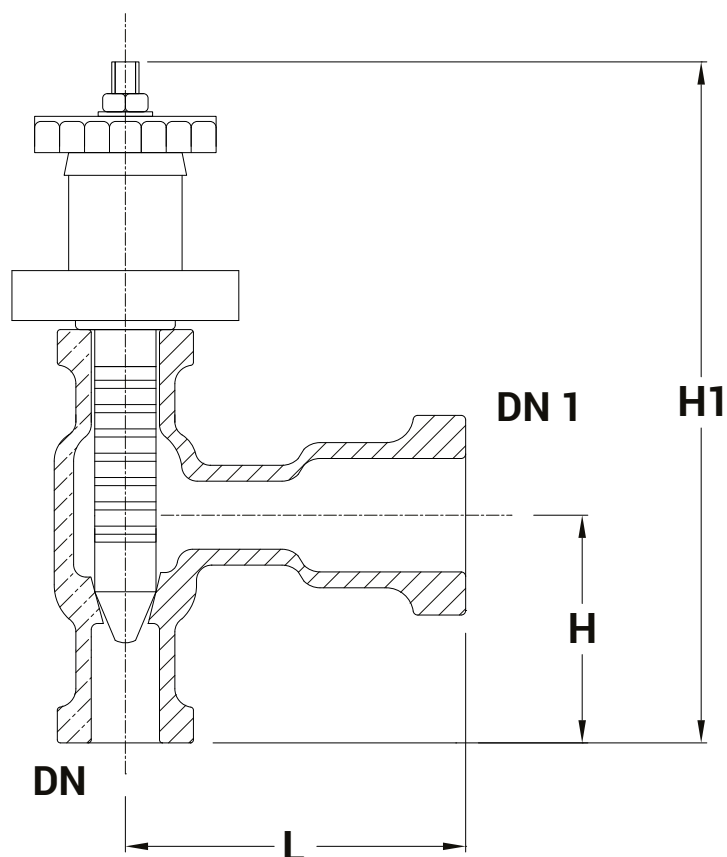
N.O. = Normally open
 N.C. = Normally closed
 D.E. = Double acting

Stainless steel device

DN	L	H	H1	CODE
15	50	50	150	SVS015AI
25	100	100	240	SVS025AI
40	150	150	360	SVS040AI
50	150	150	360	SVS050AI
80	200	200	450	SVS080AI



Unequal angle valves



Plastic material device

DN	DN1	L	H	H1	CODE
15	25	75	50	150	SVSR015/025/PL
25	40	100	100	240	SVSR025/040/PL

Pneumatic actuator version

DN	DN1	L	H	H1	CODE
15	25	75	50	150	SVSR015/025/P/.....
25	40	100	100	240	SVSR025/040/P/.....

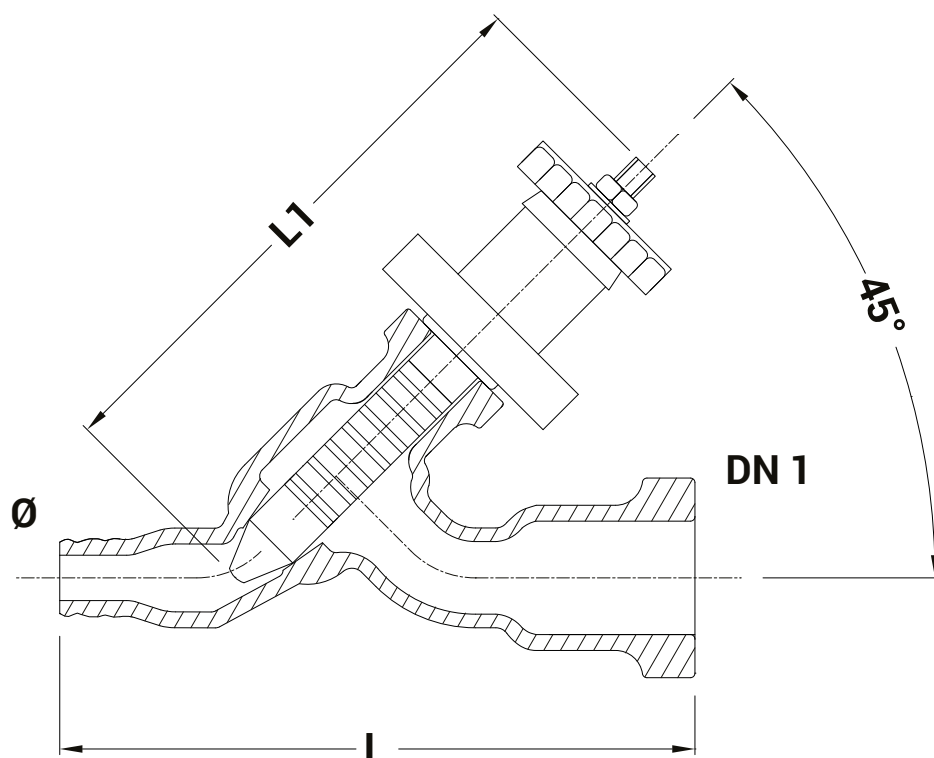
N.O. = Normally open
 N.C. = Normally closed
 D.E. = Double acting

Stainless steel device

DN	DN1	L	H	H1	CODE
15	25	75	50	150	SVSR015/025AI
25	40	100	100	240	SVSR025/040AI



Drain valves



Plastic material device

DN	Ø	L	L1	CODE
15	16	140	120	SVSC015/16PL
25	16	140	120	SVSC025/16PL
25	26	150	175	SVSC025/26PL
40	16	150	120	SVSC040/16PL
40	26	200	175	SVSC040/26PL

Pneumatic actuator version

DN	Ø	L	L1	CODE
15	16	140	120	SVSC015/16/P/...
25	16	150	120	SVSC025/16/P/...
25	26	150	175	SVSC025/26/P/...
40	16	150	120	SVSC040/16/P/...
40	26	200	175	SVSC040/26/P/...

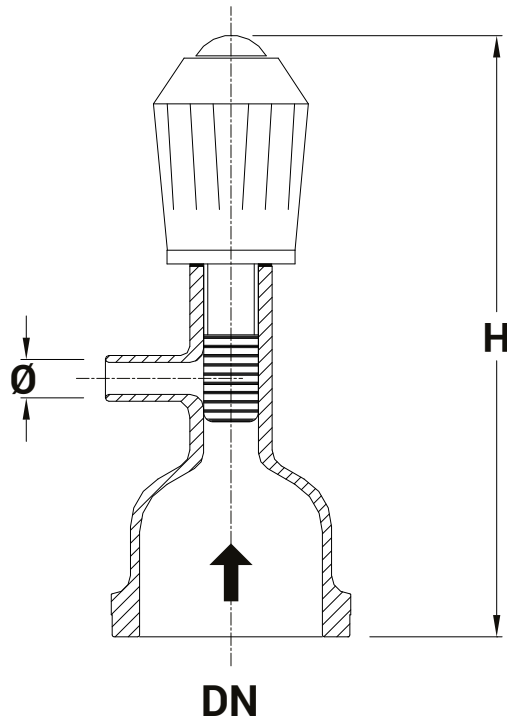
N.O. = Normally open – N.C. = Normally closed – D.E. = Double acting

Stainless steel device

DN	Ø	L	L1	CODE
15	16	140	120	SVSC015/16AI
25	16	150	120	SVSC025/16AI
25	26	150	175	SVSC025/26AI
40	16	150	120	SVSC040/16AI
40	26	200	175	SVSC040/26AI



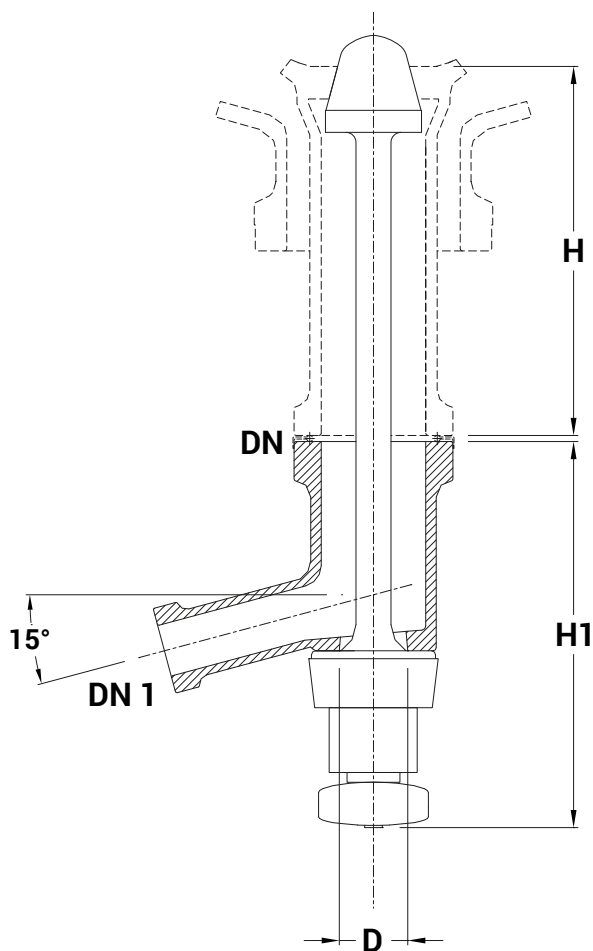
Vent valves



DN	\varnothing	H	CODE
15	10	132	SPVL15/3
25	10	140	SPVL25/3
40	10	145	SPVL40/3



Bottom outlet valves



Plastic material device

DN	DN1	H	H1	D	CODE
25	15	50	100	20	SVF025/020/015PL
50	25	170	190	33	SVF050/040/025PL
50	40	170	190	38	SVF050/050/040PL

Pneumatic actuator version

DN	DN1	H	H1	D	CODE
25	15	50	100	20	SVF025/020/015/P...
50	25	170	190	33	SVF050/040/025/P...
50	40	170	190	38	SVF050/050/040/P...

N.O. = Normally open – N.C. = Normally closed – D.E. = Double acting

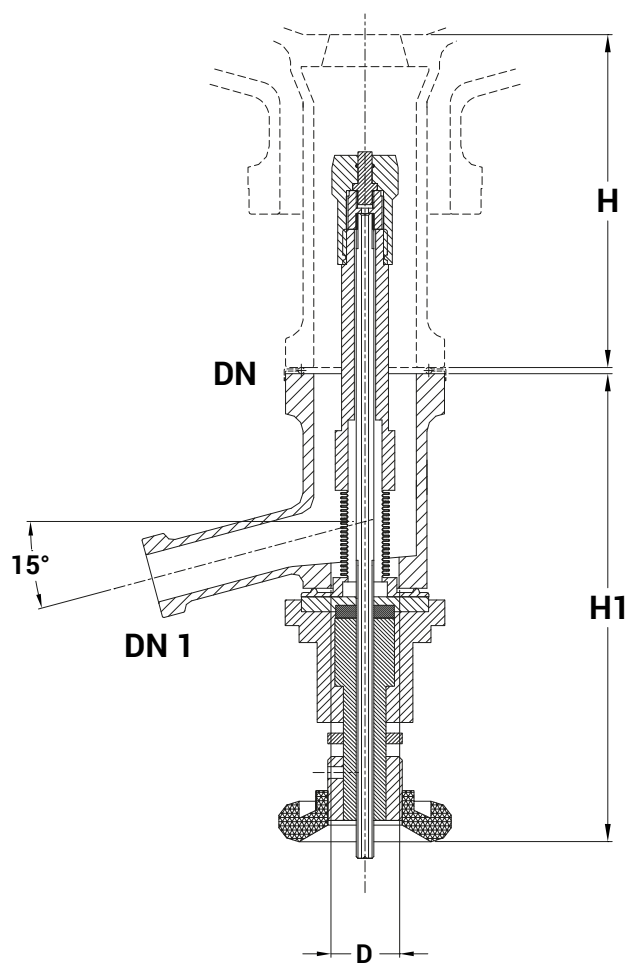
Stainless steel device

DN	DN1	H	H1	D	CODE
25	15	50	100	20	SVF025/020/015AI
50	25	170	190	33	SVF050/040/025AI
50	40	170	190	38	SVF050/050/040AI

Bottom outlet valves for 3 jacket reactors custom made



Bottom outlet valves with PT100 titanium probe



Plastic material device

DN	D1	H	H1	D	CODE
25	15	50	100	20	SVF025/020/015PT100
50	25	170	230	33	SVF050/040/025PT100
50	40	170	230	38	SVF050/050/040PT100

Pneumatic actuator version

DN	D	H	H1	D	CODE
25	15	50	100	20	SVF025/020/015PT100/P/...
50	25	170	230	33	SVF050/040/025PT100/P/...
50	40	170	230	38	SVF050/050/040PT100/P/...

N.O. = Normally open – N.C. = Normally closed – D.E. = Double acting

Stainless steel device

DN	D	H	H1	D	CODE
25	15	50	100	20	SVF025/020/015PT100AI
50	25	170	230	33	SVF050/040/025PT100AI
50	40	170	230	38	SVF050/050/040PT100AI

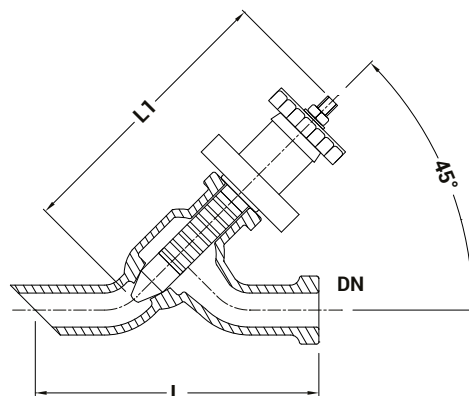


Coulisse connection valves

Coulisse straight valves

DN	L	L1	PLASTIC MATERIAL DEVICE CODE	STAINLESS STEEL DEVICE CODE
15	...	120	SVLC015PL/...	SVLC015AI/...
25	...	175	SVLC025PL/...	SVLC025AI/...
40	...	215	SVLC040PL/...	SVLC040AI/...
50	...	330	SVLC050PL/...	SVLC050AI/...
80	...	390	SVLC080PL/...	SVLC080AI/...

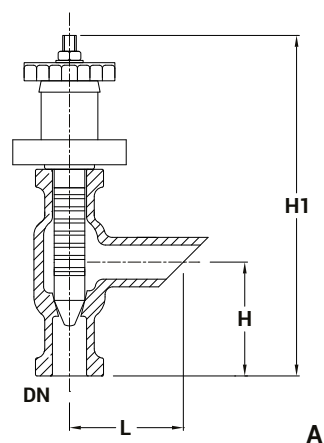
Dimension "L" required later



Coulisse angle valves type A

DN	L	H	H1	PLASTIC MATERIAL DEVICE CODE	STAINLESS STEEL DEVICE CODE
15	...	50	150	SVSCA015PL/...	SVSCA015AI/...
25	...	100	240	SVSCA025PL/...	SVSCA025AI/...
40	...	150	360	SVSCA040PL/...	SVSCA040AI/...
50	...	150	360	SVSCA050PL/...	SVSCA050AI/...
80	...	200	450	SVSCA080PL/...	SVSCA080AI/...

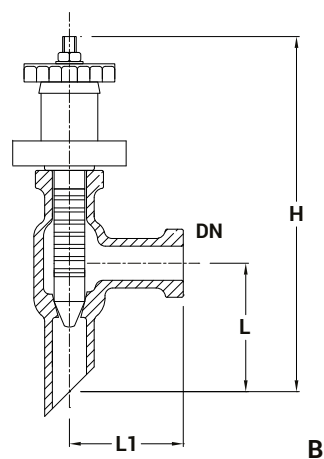
Dimension "L" required later



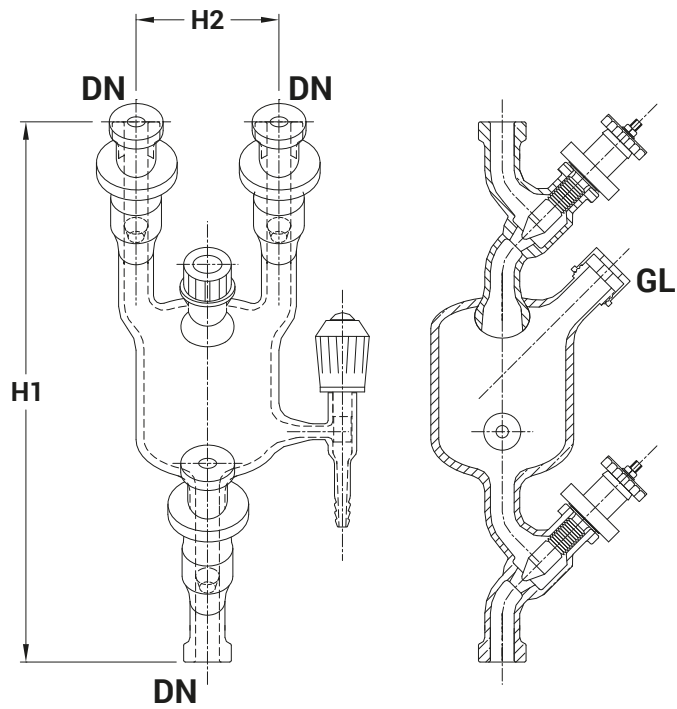
Coulisse angle valves type B

DN	L	L1	H	PLASTIC MATERIAL DEVICE CODE	STAINLESS STEEL DEVICE CODE
15	...	50	...	SVSCB015PL/...	SVSCB015AI/...
25	...	100	...	SVSCB025PL/...	SVSCB025AI/...
40	...	150	...	SVSCB040PL/...	SVSCB040AI/...
50	...	150	...	SVSCB050PL/...	SVSCB050AI/...
80	...	200	...	SVSCB080PL/...	SVSCB080AI/...

Dimension "L" required later



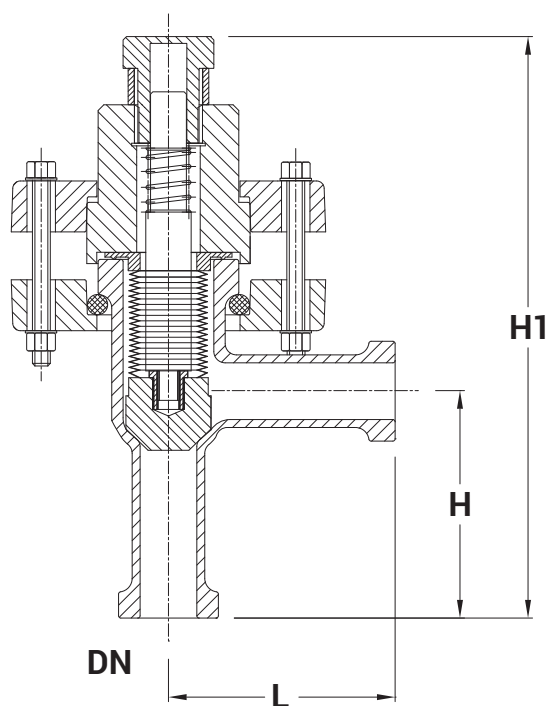
Sampling valve for reactors



DN	GL	CAPACITY (C.C.)	H1	H2	CODE
15	25	160	340	90	SPC15



Overflow pressure valves



DN	L	H	H1	CODE	STAINLESS STEEL CODE
15	60	60	190	SPVF015PL	SPVF015AI
25	100	100	215	SPVF025PL	SPVF025AI
40	100	100	250	SPVF040PL	SPVF040AI

Standard calibration 0.3 bar g – Different pressure show beyond code: SPVF015PO/.....



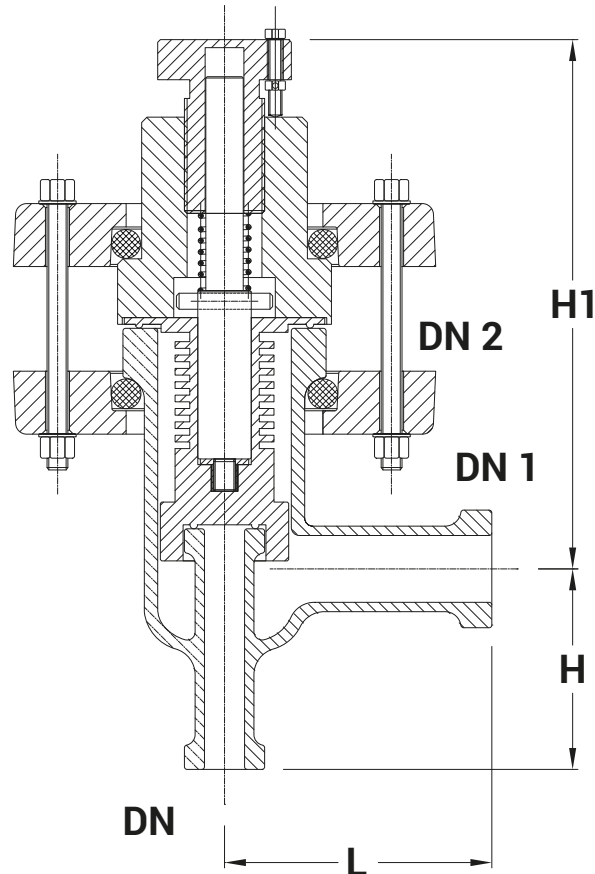
Safety valves

A safety valve is basically a plunger which closes a passageway by spring pressure.

If the opposite pressure exceeds the pressure of the spring, the plunger is pushed back from the opening, allowing gases/vapour pressure to be released to vent.

These valves are made of borosilicate glass 3.3 body and PTFE plunger.

The valves are designed to meet the requirements of DNV Business Assurance and are supplied with inspection certificate 3.1.



DN	DN1	DN2	L	H	H1	CODE
15	25	50	100	75	210	SSVF015
25	50	80	150	130	250	SSVF025

TECHNICAL SPECIFICATIONS

DN	DISCHARGE COEFFICIENT KD	FLOW DIAMETER (mm)	FLOW CROSS SECTION (mm ²)	SET PRESSURE RANGE (bar g)	CODE
15	0.559	15	176	0.5 ÷ 1.0	SSVF015
25	0.559	25	490	0.5 ÷ 1.0	SSVF025



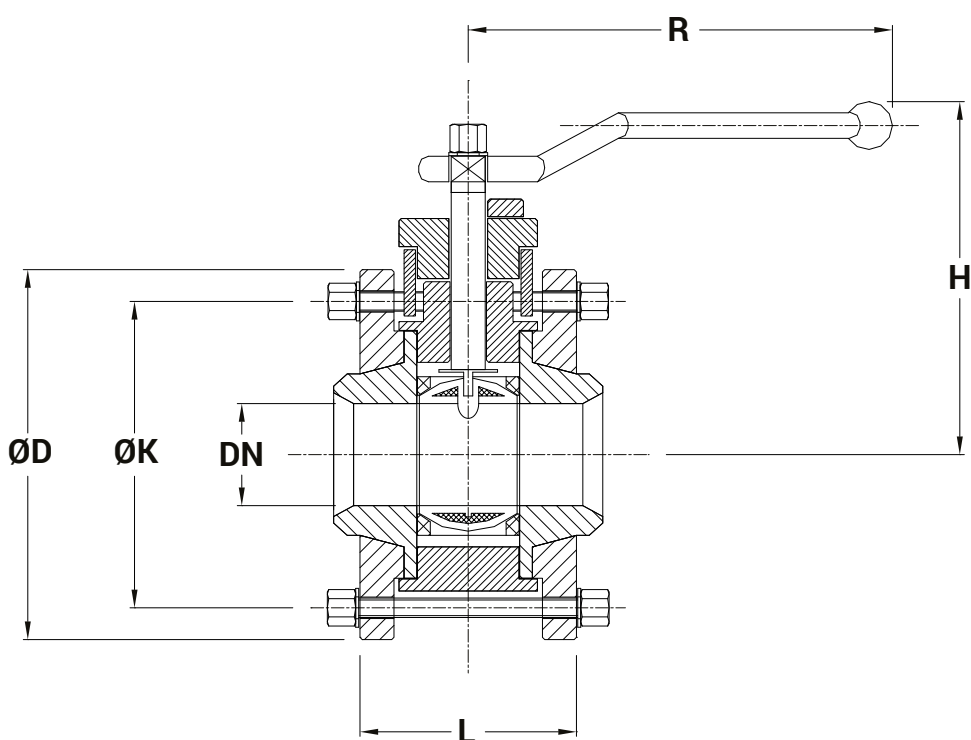
Ball valves

Ball valve is described as a mechanical device that directs, guides and modulates the flow of various types of liquids by way of an opening of a ball which has an opening in the middle.

This compact ball valve is inserted in the pipeline by means of a standard backing flange.

These type of valves are ideal for applications where a low pressure drop is required.

The main body is made in ductile cast iron, the internal body and the ball are made in virgin PFA.

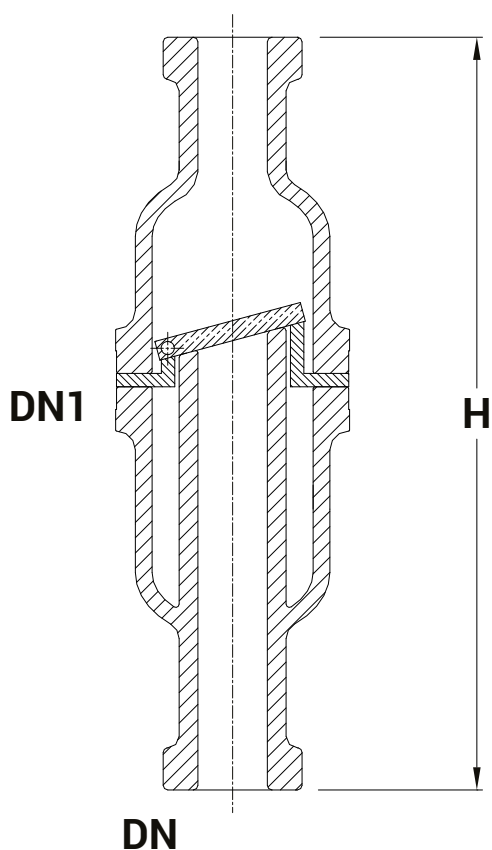


DN	L	H	R	Ø D	Ø K	CODE
25	80	118	160	105	85	SKHK25
40	110	146	210	135	110	SKHK40
50	125	150	210	145	125	SKHK50



Non return flap valves

This type of non return flap valve can be used in both horizontal and vertical pipeline systems. The clapet in PTFE is attached with a hinge in tantalum and sealing seat made of borosilicate glass 3.3. In horizontal position we suggest to install an eccentric reducer type SRU.



DN	D1	H	CODE
25	50	225	SRK025
40	80	275	SRK040
50	100	325	SRK050
80	150	415	SRK080
100	200	450	SRK100



